

AULchain



AULCHAIN MANUAL

REGISTRATION AND MANUAL HOLDER



GATES

SWING STYLE - - SOLID OR EXPANDED METAL

THERE ARE 3 GREASE ZERKS ACROSS THE TOP OF THE GATE - GREASE WEEKLY



BARN DOOR STYLE

THERE ARE GREASE ZERKS ON EACH SIDE FOR THE DOOR HINGES - GREASE WEEKLY



CHAIN



THE FLOOR CHAIN IS D88C CHAIN WITH STEEL CROSSBARS HUCKED, NOT WELDED, FOR EASY REPLACEMENT WHEN NECESSARY.

THE FLOOR LINER IS ONE SOLID PIECE OF ½ UHMW X 8 FT, RUNNING FRONT TO BACK. IT IS FASTENED TO THE FRONT ONLY TO ALLOW FOR EXPANSION & CONTRACTION.

FRONT TAKE UP ADJUSTMENT



THERE ARE 4 ADJUSTER BOLTS ON THE FRONT OF THE TRAILER.

-2 FOR EACH CHAIN ASSEMBLY

THE CHAIN ASSEMBLIES CAN BE ADJUSTED INDEPENDENTLY FROM EACH OTHER.

TO PROPERLY ADJUST THE CHAIN, TIGHTEN THE ADJUSTER BOLT UNTIL THE SPRING IS ALMOST COLLAPSED. THIS PRE LOADS EACH ADJUSTER AND MAKES IT EASY TO MONITOR THE TENSION.

REAR DRIVE SYSTEM



THE DRIVE CHAIN TENSION SHOULD BE CHECKED DAILY. THERE IS ONE ON EACH SIDE OF THE TRAILER. TO TIGHTEN THE TENSION, LOOSEN THE IDLER SPROCKET BOLT AND JAM NUT ON THE TENSION BOLT.

TRAILERS EITHER HAVE 80 HD OR 100HD CHAIN AND SPROCKETS

- ORBIT MOTORS --- 109-1106-006
- DRIVE SPROCKET --- (100 HD CHAIN) --- AUL -AK100B8-1 ¼
- DRIVE SPROCKET --- (80 HD CHAIN) --- BLS 80BS9 1

REAR SHAFT



THE REAR SHAFT IS HELD IN PLACE BY UHMW BLOCKS. EACH BLOCK HAS A GREASE ZERK ON IT THAT SHOULD BE GREASED DAILY.

- **2 HOLE UHMW BEARING (4 FOR 2 SETS) --- AUL-CFB BUSHING#3**
- **4 HOLE UHMW BEARING (2 FOR A SET) --- AUL-CFB BUSHING#4**
- **REAR WELD ON 88 SPROCKETS FOR CHAIN --- AUL-82**
- **REAR SHAFT FOR 80 DRIVE CHAIN --- AUL-80REARSHAFT**
- **REAR SHAFT FOR 100 DRIVE CHAIN --- AUL100REARSHAFT**

LANDING GEAR



LANDING GEAR IS RATED FOR 50,000LBS

- **PDC LG6017U-SS ----PASSENGER SIDE**
- **PDCLG60117U-GS--- DRIVER SIDE**

LONG ARM TARP SYSTEM



- **1801534- LONG ARM 41 W/96 HOUSING**
- **1803546- ARM TARP 90IN X 42FT BLACK MESH TARP**
- **1123585-- SMART ONE REMOTE SYSTEM**

CONTINUED....

LONG ARM TARP SYSTEM PARTS

PACKING LIST OF LONG ARM 41' SYSTEM PARTS AND HARDWARE (BALLOONS ARE SHOWN ON DRAWING ON PAGE 3)

ITEM#	BALLOON	DESCRIPTION	QTY.
4278	2	MOTOR COVER	1
4422	3	800W MOTOR	1
3023 / 3033	4	102" or 96" HOUSING SHELL	1
2365	5	EXTRUDED ROLLER BAR	1
1752-R	6	3/4" ID BEARING	1
2838	7	3/4" EXTENSION SHAFT	1
1076	8	REAR CROSS BAR	1
1888	9	90° ALUMINUM DIE CAST ELBOW	2
32188	10	PIVOT ARM REST	2
4212	11	DRIVER'S SIDE SPRING ASSEMBLY	1
4213	11	PASSENGER'S SIDE SPRING ASSEMBLY	1
1854	12	HOUSING BRACKET	2
2780	13	PIVOT MOUNT PLATE	2
2795	14	SPRING LEVER WELDMENT	2
3993	15	DRIVER'S SIDE SPRING (14-coil)	1
3988	15	PASSENGER'S SIDE SPRING (14-coil)	1
2784	16	RETENTION PLATE WELDMENT	2
3346	17	BEARING	2
1167	18	SHAFT ASSEMBLY	2
4199	19	ARM EXTRUSION	2
3017	20	SHIM PLATE	2
2141	NOT SHOWN	ROLL OF TWO CONDUCTOR WIRE	1
85N	NOT SHOWN	ROTARY SWITCH KIT	1
1379A	NOT SHOWN	CONTACT PLATE ASSEMBLY	1
3848	NOT SHOWN	HEAVY DUTY TRAILER CONNECTOR	1

HOUSING ASSEMBLY AND BRACKET HARDWARE

2705	NOT SHOWN	1/2" - 13 X 2 1/2" BOLTS	6
2735	NOT SHOWN	1/2" - 13 X 2" BOLTS	4
2878	NOT SHOWN	1/2" FLAT WASHER	10
2877	NOT SHOWN	1/2" - 13 LOCK NUT	10

PIVOT MOUNT PLATE HARDWARE

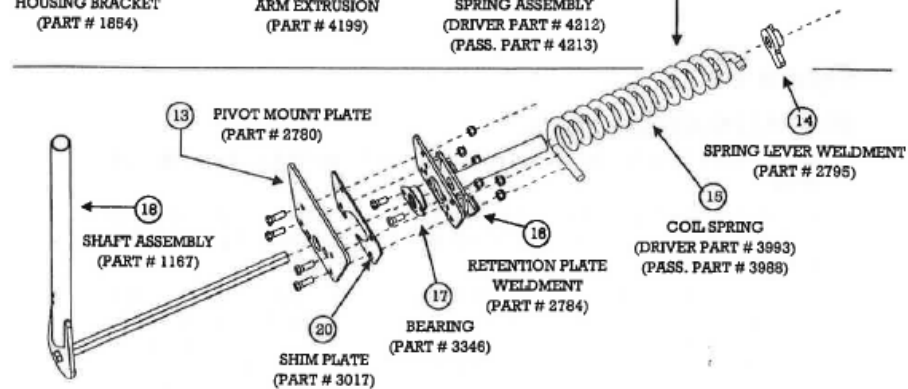
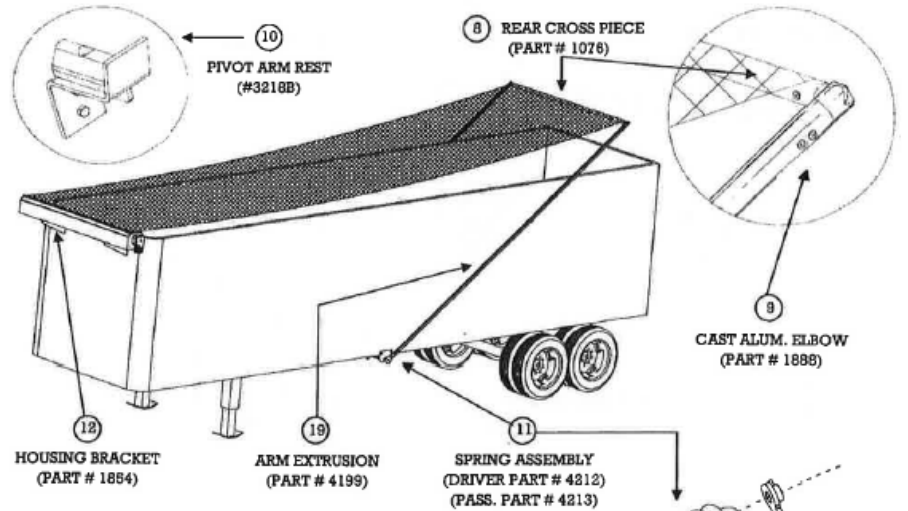
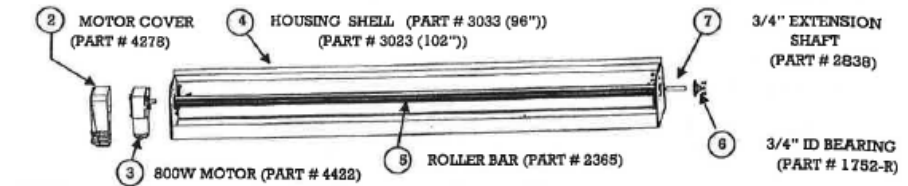
2705	NOT SHOWN	1/2" - 13 X 2 1/2" BOLTS	4
2878	NOT SHOWN	1/2" FLAT WASHER	4
2877	NOT SHOWN	1/2" - 13 LOCK NUT	4

EXTRUDED ARM TO SHAFT ASSEMBLY HARDWARE

989	NOT SHOWN	5/16" - 18 X 2 1/2" PAN HEAD BOLT	4
2868	NOT SHOWN	5/16" LOCK NUT	4

UPPER BENT TUBE TO EXTRUDED ARM AND REAR CROSS PIECE HARDWARE

1917	NOT SHOWN	1/4" - 20 X 1 7/8" "T" BOLT	6
1915	NOT SHOWN	1/4" - 20 X 7/16" "T" NUT	6



LED LIGHTS - STANDARD

RED LED LIGHT



PDC-60250R

AMBER LED LIGHT



PDC-60275Y

CENTER REAR LIGHT BAR



ALM-T12-RC001

3/4" IN ROUND LED LIGHT



AUL-S34RR9B1 (RED)
AUL-S34AA9B1 (YELLOW)

**CLEAR/WHITE 3/4" LED
(VALVE ENCLOSURE)**



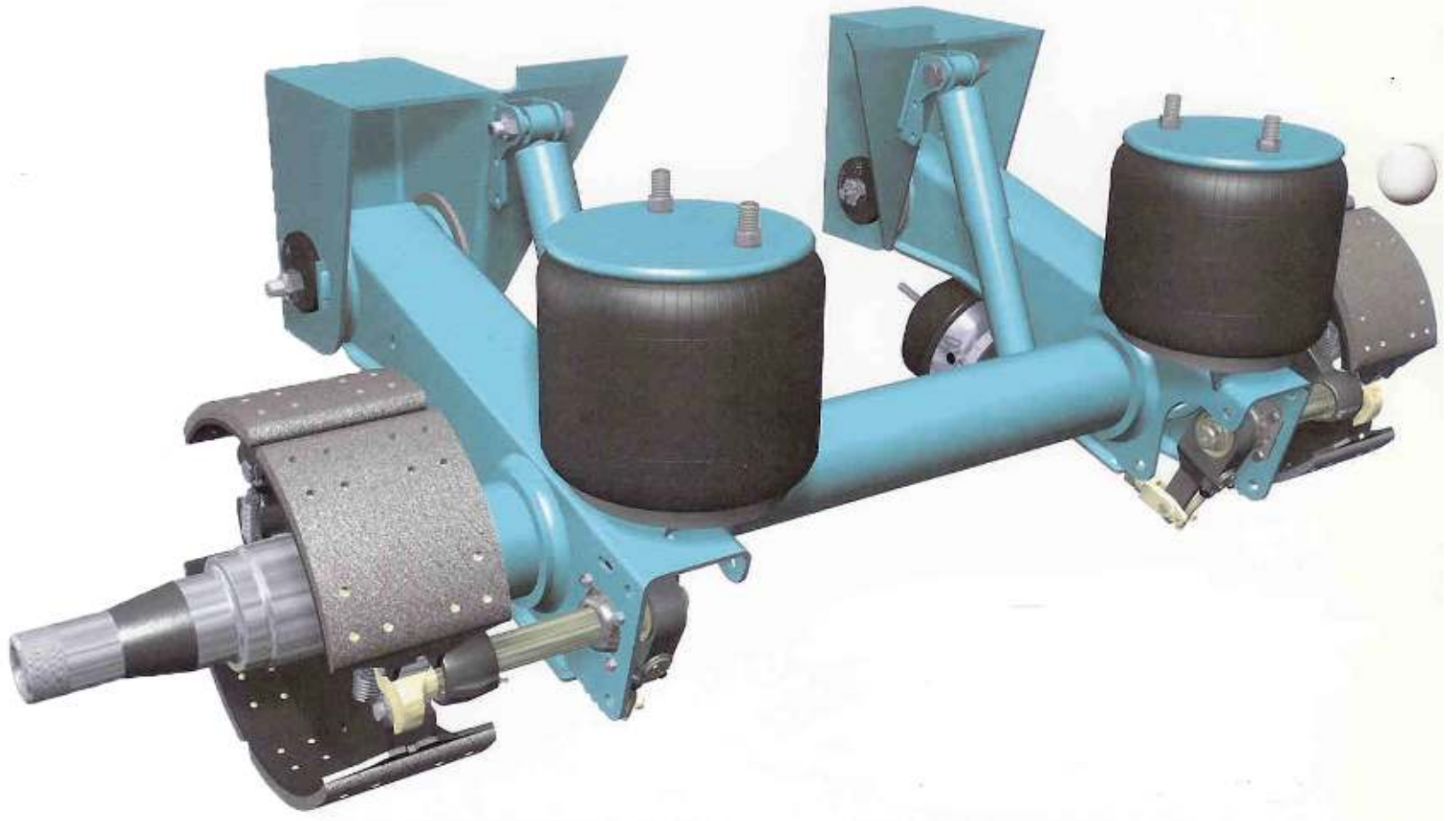
AUL-S33WC0B-1

LICENSE PLATE LIGHT



PDC-LT2002

ALL AXLES ARE 25000 LB HENDRICKSON INTRAAX





HENDRICKSON AXLE

INTRAAX PARTS

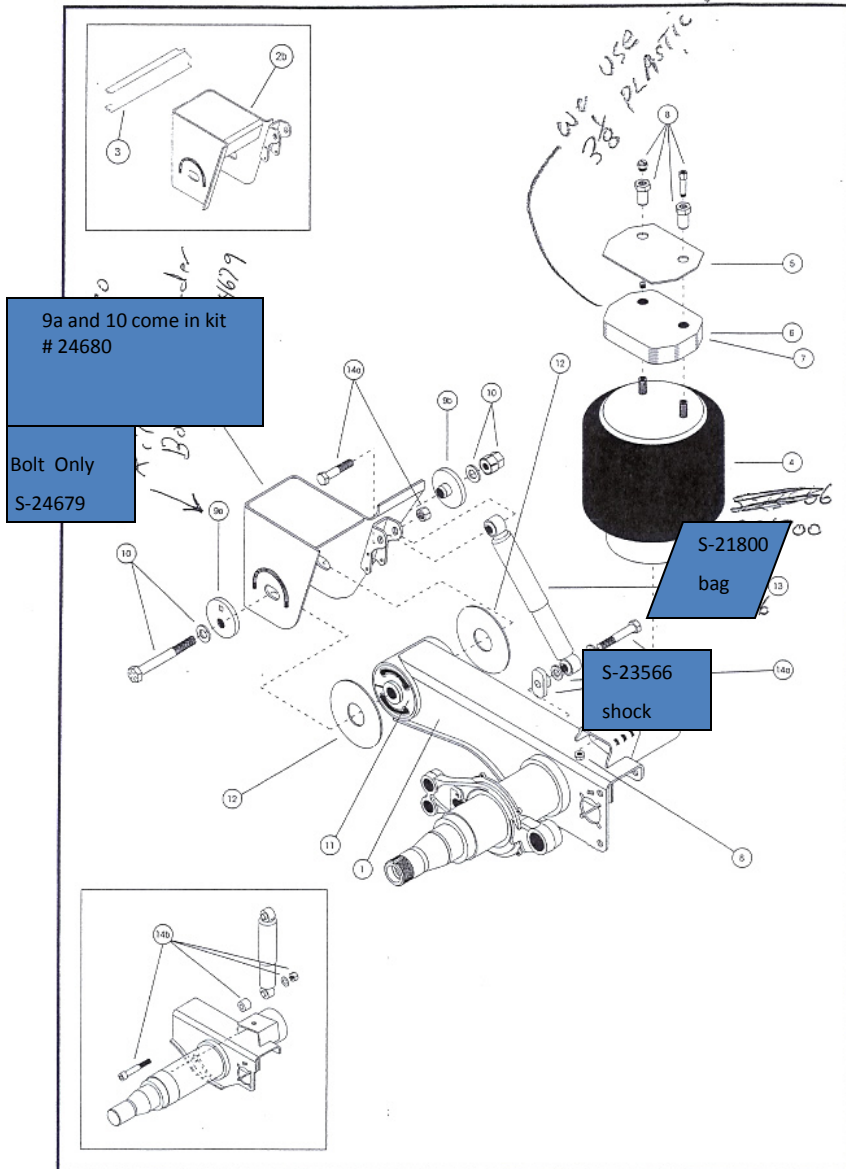
- BRAKES SHOES (16.5X7) --- ITP-XC415Q
- S-CAMS (20 5/8 INCH)
 - ITP-04871121 (PASSENGER SIDE)
 - ITP-04871122 – (DRIVER SIDE)
- BRAKE CHAMBERS (BT30/30-45) --- PDC-3030SB
- WHEEL SEAL --- ITP-370025A
- WHEEL BEARING
 - HM218248 INNER
 - HM212049 OUTER
- AUTOMATIC SLACK ADJUST --- PDC-51141P
- HUB CAP --- PDC-3596103
- BRAKE DRUM --- AUL-66864
- HALDEX ABS BRAKE VALE --- AUL-AQ960102
- AIR BAG FOR 25K AXLES --- AUL-S21784



MODEL AA230T/AA250T INTRAAX® cont.



PARTS LIST — SUSPENSION AND AXLE COMPONENTS
MODEL AA230T/AA250T INTRAAX® cont.



ITEM	DESCRIPTION	PART NO.	QTY	NOTE	
8	AIR SPRING MOUNTING KIT ² (Per Air Spring)	S-22619/2	2	For units with no spacer or with 1-5/16", 2-1/16", 3-5/16", 4-1/16", 4-5/16", 5-5/16" or 5-9/16" thick spacer assemblies	
		S-22630/2	2	For units with a 1-1/8" thick spacer	
		S-22631/2	2	For units with a 1-7/8" thick spacer	
		S-22632/2	2	For units with a 3-1/8" thick spacer	
		<i>WE USE THIS ONE →</i>		<i>AUL-5-22632/2</i>	
9	ALIGNMENT COLLARS				
9a	Eccentric, QUIK-ALIGN®	S-20925	2	Pivot bolt hole is offset from center of collar	
9b	Concentric, QUIK-ALIGN®	S-20924	2	Pivot bolt hole is in center of collar	
10	QUIK-ALIGN® PIVOT BOLT KIT ²	S-21052	2	Includes bolt, TORQ-RITE® Nut and washers	
11	QUIK-ALIGN® PIVOT BUSHING KIT ²	Standard	S-21166	2	Includes bushing, pivot bolt kit, wear pads and tube
		High Control	S-24112	2	Includes bushing, pivot bolt kit, wear pads and tube
12	BUSHING WEAR PAD	Standard	S-11613	4	Four (4) required per axle
		High Control	B-21099	4	Four (4) required per axle
13	SHOCK ABSORBER ³	Standard Duty	S-23566	2	Use to replace A-20002 or B-23566 shock absorbers
		Extended Service	S-24125	2	Use to replace A-20126 or B-24125 shock absorbers
		Extended Service, High Damping	S-24023	2	Use to replace B-21553 or B-24023 shock absorbers
		Limited Rebound	S-23361	2	Use to replace B-22345 or B-23361 shock absorbers
14	SHOCK ABSORBER BOLT KIT ²				
14a	For Units Shipped After 8/11/95	S-24021 ⁴	2	One (1) required per shock	
14b	For Units Shipped Before 8/11/95	S-20896/2	2	One (1) required per shock	

² See AA230T/AA250T INTRAAX® Kit Components Section or Service Kits Section for kit breakdown.

³ Other options exist. Contact Hendrickson for assistance.

⁴ Picture depicted may not resemble all models. This kit contains components necessary to repair AA230T/250T INTRAAX® models manufactured after 8/11/95.

**HENDRICKSON INTRAAX
AA230T**

PARTS LIST

HALDEX AIR LEVELING VALVE FOR AIR RIDE HENDRICKSON INTRAAX AND WATSON-CHALIN SUSPENSION'S

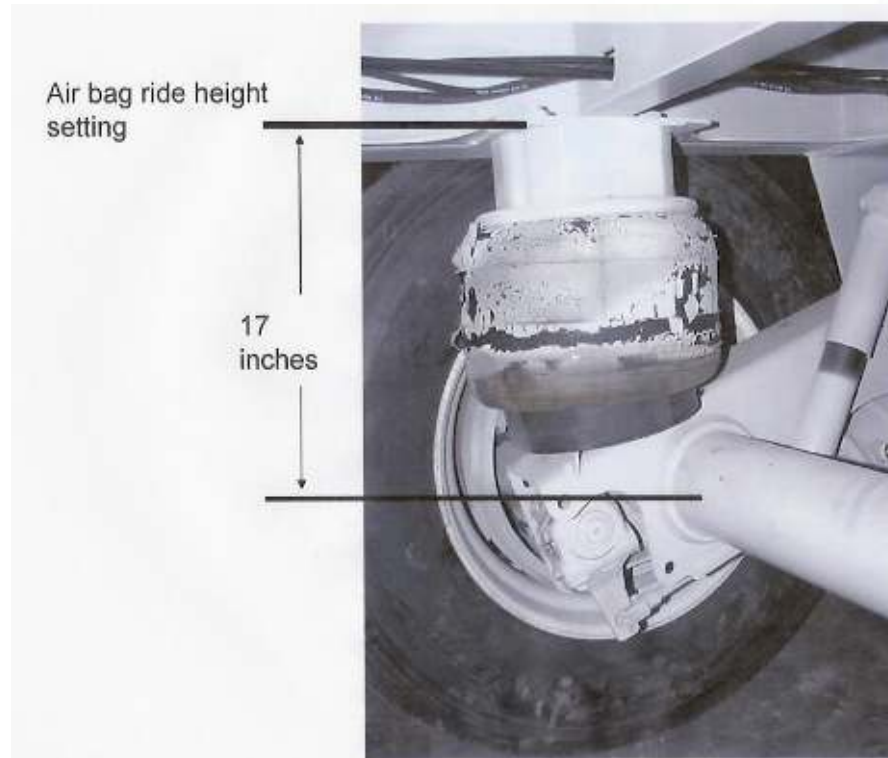
Type PR Height Control Valve

Precision Response
Height Control Valve
for any Truck, Trailer,
Industrial or
Recreational Vehicle
Air Suspension

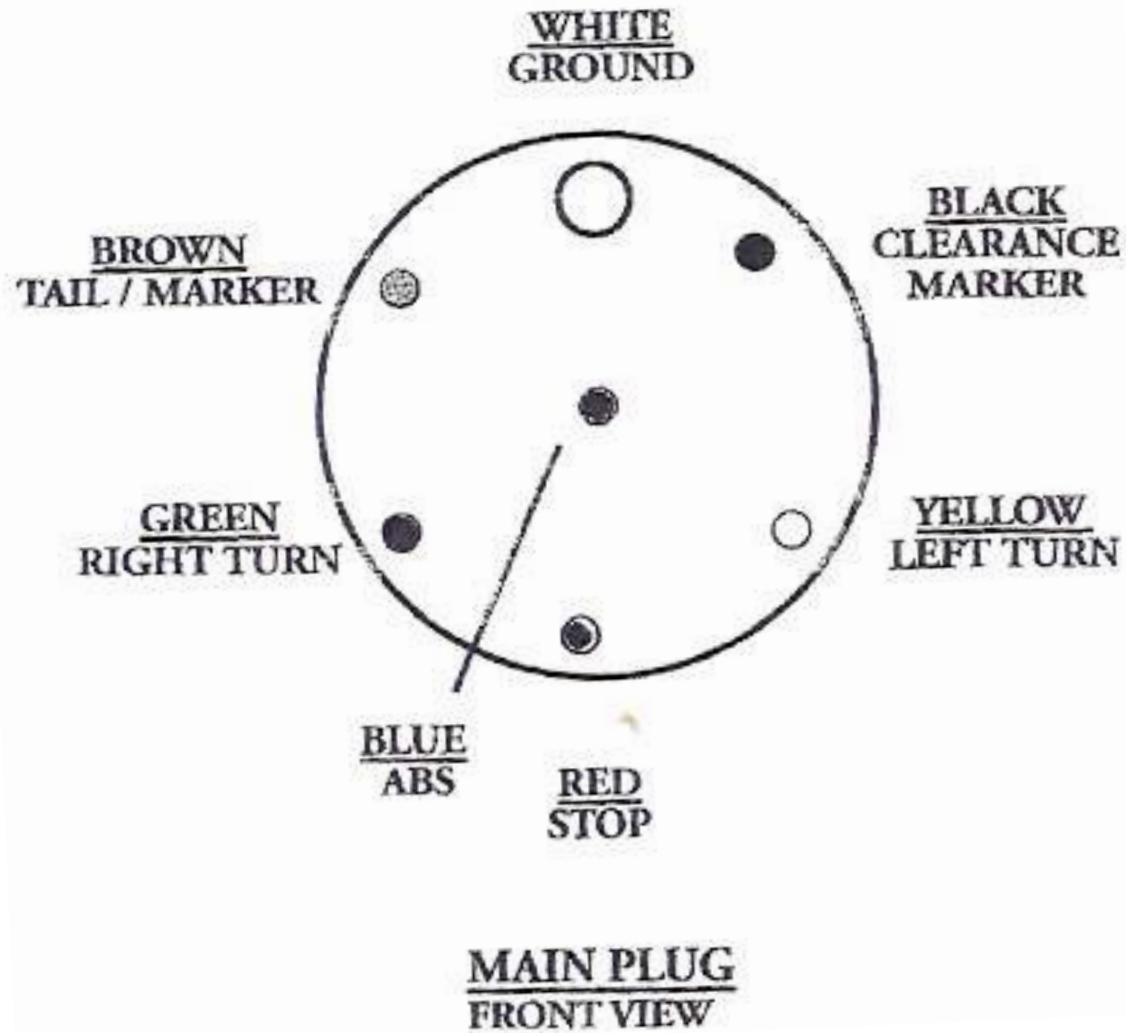
90554945



Features and Benefits:



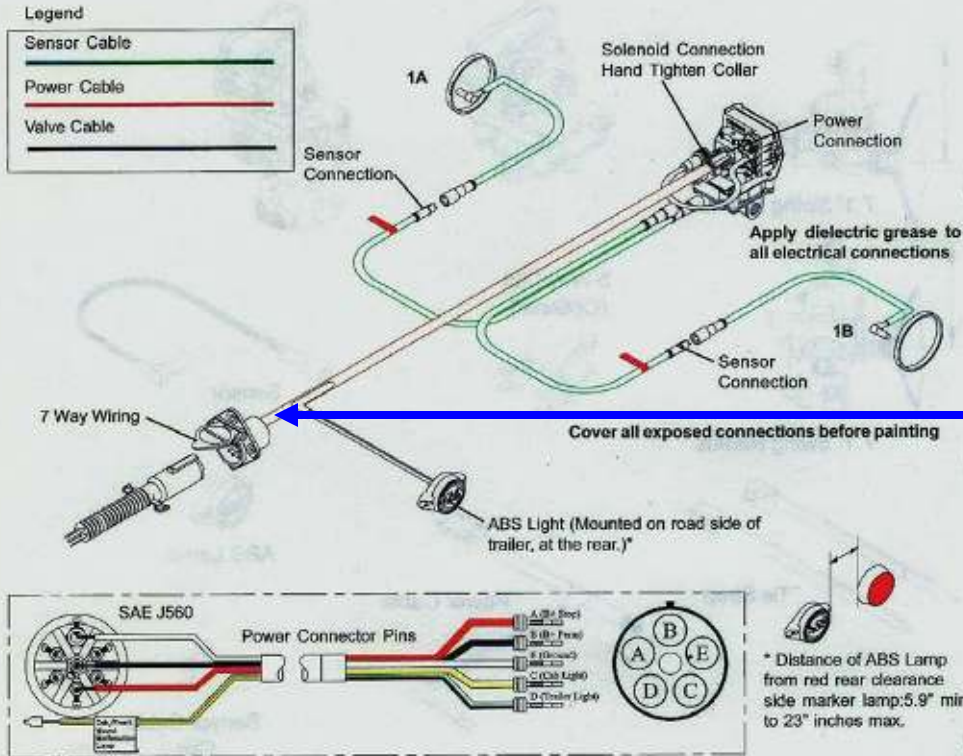
TRAILER WIRING



PLC, PLC Plus, & PLC Select **Haldex**

2S/1M System Wiring - PLC Select

2S/1M System Wiring:



Note:

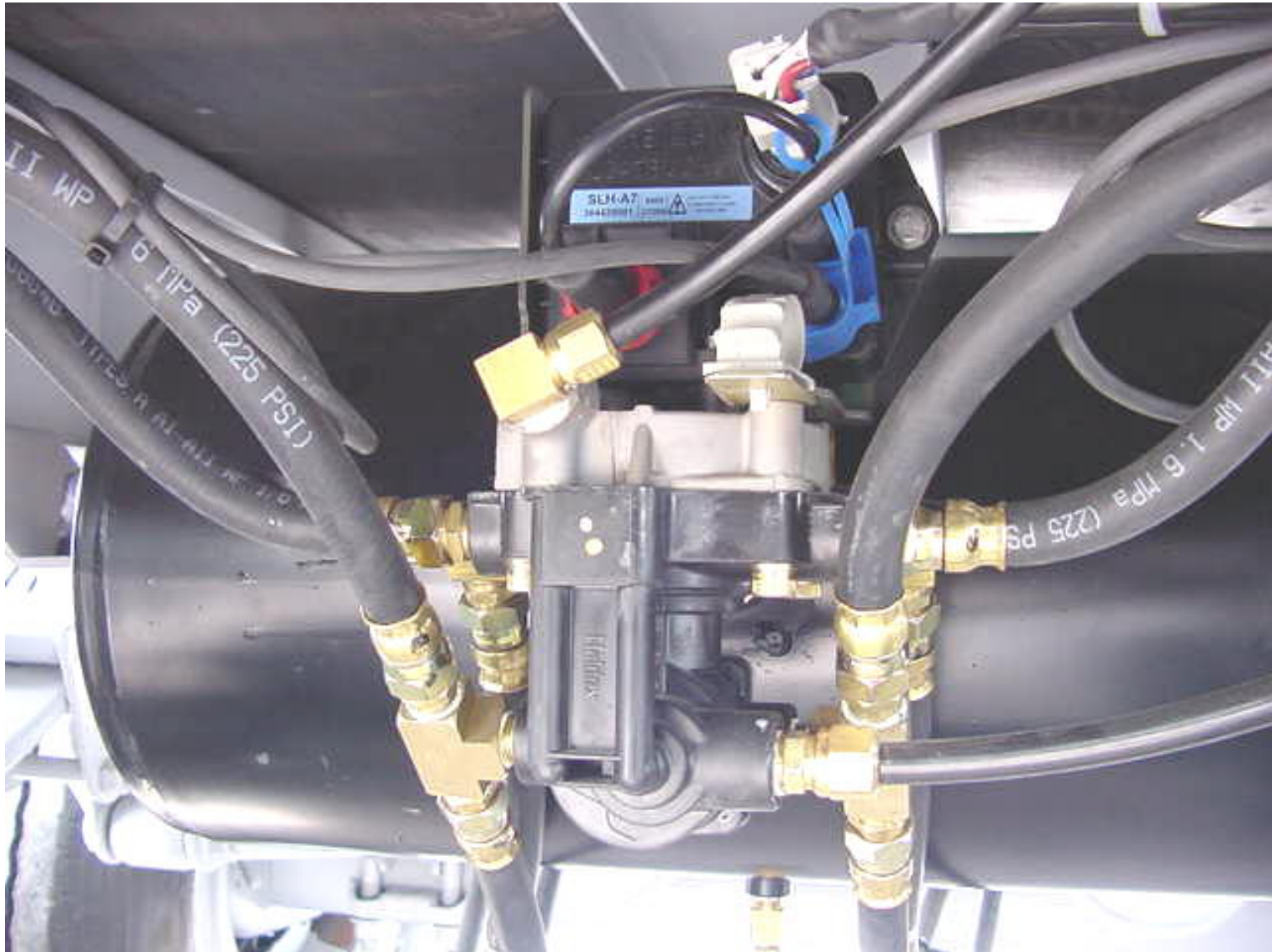
Federal regulations require that new trailers, starting 3/1/2001, have the capability to provide an ABS fault signal from the trailer ABS into the tractor. Haldex provides two (2) options for this, one is through Industry standard "PLC 4 Trucks" multiplexing (the signal is carried on Pin 7), and the other is a hard wire (through Pin C of the power connector via the ISO 3731 connector). The requirement for the trailer mounted ABS lamp remains in effect until March of 2009.

HALDEX

A B S SYSTEM WIRING

NOTE: THE 12 VOLT + FEED WIRE (BLUE) AND THE BRAKE LIGHT SENSING WIRE (RED) AND THE GROUND (WHITE) ARE IN THE ABS WIRING JUNCTION BOX INSIDE THE REAR OF THE TRAILER, LEFT SIDE, BELOW THE TRAILER LIGHT WIRING JUNCTION BOX. (they are not wired to the front of the trailer as shown here, but are connected to the front plug via the main wiring harness from the rear)

HALDEX ABS BRAKE VALVE AUL-AQ960102



HALDEX TECH SUPPORT

**Technical Service
&
Engineering Support**

1-800-643-2374 (Press 2)

In Canada, please call

**Brake Systems Division
Haldex, Limited
525 Southgate Drive, Unit 1
Guelph, Ontario
Canada N1G 3W 6
1-800-267-9247**



BOLT ON 5TH WHEEL PLATE



Standard Specifications

- FLOOR CHAIN IS 88C DRIVES PINTLE CHAIN , 4 STRANDS
- EASY ACCESS BELT ADJUSTMENT AT FRONT OF TRAILER
- BOLT ON 5TH WHEEL
- 2-3/16 DIAMETER REAR DRIVE SHAFT , WITH WELD ON SPROCKETS
- PLASTIC FLOOR LINER IS UHMW ½" THICK, FULL WIDTH
- EXTENDED REAR DISCHARGE WITH WINGS ON REAR OF TRAILER
- MECHANICAL LATCH ON REAR GATE (OPERATES WITH CHAIN)
- FLOW CONTROL MOUNTED AT LEFT REAR
- MAIN FRAME RAILS ARE 10 INCH I-BEAM , ONE PIECE , FULL LENGTH
- 50000 LB LANDING GEAR
- A B S BRAKE SYSTEM , 2S/1M ANTI/LOCK BRAKE SYSTEM HALDEX
- 11 X 22.5 RADIALS ON 10 BOLT HUB PILOT RIMS
- TANDEM AXLE
- 25000 LB AXLES, CENTRIFUSE DRUMS, WITH 16.5 X 7 S-CAM BRAKES WITH PARK BRAKES ON BOTH AXLES
- HENDRICKSON INTRAAX AIR RIDE SUSPENSION WITH HALDEX QUICK ACTING LEVELING VALVE
- TRAILER IS SAND BLASTED , TWO PART EPOXY PRIMER WITH 2 PART POLYURETHANE TOP COAT
- D O T LIGHTING AND REFLECTIVE TAPE

AULICK INDUSTRIES

LIMITED WARRANTY POLICY

WARRANTY: Aulick Industries warrants that trailer model: _____, Serial number: _____ (hereinafter referred to as "Equipment") manufactured by Aulick Industries will be free from defects in materials and workmanship, provided that the Equipment warranted hereunder is operated by the purchaser in accordance with the practices approved by Aulick Industries with loads not exceeding the manufacturer's rated capacities and with loads that are not abrasive or corrosive in nature.

Aulick Industries sole obligation under this warranty shall be limited to repairing or replacing, at its option, in accordance with the schedule below, any defective part of the warranted Equipment, which shall be returned to Aulick Industries factory location or authorized service facilities and then Aulick Industries examination shall disclose to its satisfaction to have been defective; provided, however, that the purchaser notifies the Warranty Department immediately upon identification of defect, and such defective Equipment is returned by the purchaser to a Aulick Industries location authorized by the Warranty Department of Aulick Industries with transportation and freight charges prepaid within fifteen (15) days after discovery or defective conditions.

The customer shall not be required to deliver defective Equipment to Aulick Industries if the Equipment was destroyed as a result of defect covered in this warranty and the Aulick Industries Warranty Department is reasonably satisfied that the Equipment was defective at the time of the sale.

All labor and parts warranty must be authorized by Aulick Industries Warranty Manager. Failure to do so will result in no warranty payment of any kind.

THIS WARRANTY IS EXPRESSLY IN LIEU OF ALL OTHER WARRANTIES OF MATERIAL, WORKMANSHIP, DESIGN, APPLICATION OR OTHERWISE WITH RESPECT TO ANY EQUIPMENT, WHETHER EXPRESS OR IMPLIED, INCLUDING WARRANTIES OF MERCHANTABILITY AND FITNESS FOR A PARTICULAR PURPOSE, AND OF ALL OTHER OBLIGATIONS OR LIABILITIES ON THE PART OF AULICK INDUSTRIES.

Warranty Schedule Components and Structural

- I. Axles, Suspensions, Landing Gear, Wheels, Rims, Hydraulic components
Brakes ,and other manufactured items carry their own individual warranty

- II. Frame and all structural components , plastic liner , rear gate , knife gate , chain and flaps and rubber seals are warranted for one (1) Year from date of purchase on New trailers